

MPWS-36 Multi-Product Warming Station with MPWS-36 BIN Configuration



Configured to work the way you work...

The Hatco® Multi-Product Warming Station safely holds hot fried foods at optimum serving temperatures in kitchen work areas giving easy access to food products. The unit is designed for maximum flexibility of use, durability and performance, with minimum maintenance. This rugged, stainless steel free-standing station, features Hatco's renowned overhead ceramic heating elements (six in total) which are adjusted by two separate electronic controls - one for the rear elements and one for the front elements.

The temperature of the base heat is adjusted using a thermostatic control. The ceramic heating elements give exceptionally focussed performance compared to conventional quartz lamps. Food grade Teflon coated incandescant lights fitted to the MPWS-36 enhance product display with utmost safety.

Standard with the MPWS-36 BIN: Full Fry Bin Insert, Drip-Tray, Perforated Insert, detachable side panel for left or right installation and Three Dividers.



with optional fry pans, scoop holder, and fry ribbons.



with optional fry pans, scoop holder, plastic food pans and angled riser



with optional fry ribbons, plastic food pans, fry pan, scoop holder and angled riser

Choose the best options to make the most of the MPWS-36 potential.

OPTIONS INCLUDE:

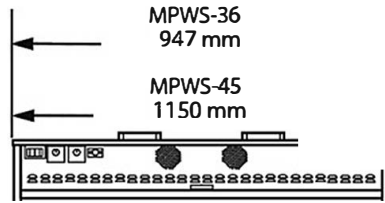
4 Pleat Hardcoated Fry Box Ribbon, 5 Pleat Hardcoated Fry Bag, 6 Pleat Hardcoated Fry Bag/Box Ribbon, Angled Riser, Bag and Tong Holder, Scoop Holder, Fry Pans, Fry Pan Trivet.





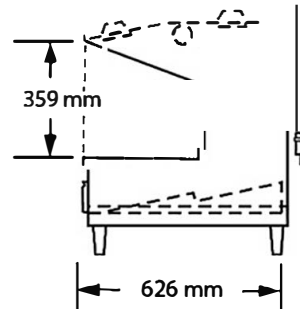
MULTI-PRODUCT WARMING STATION

Models MPWS-36



832 mm

FRONT VIEW



SIDE VIEW

SPECIFICATIONS

Multi-Product Warming Station – Ceramic Elements

Model	Volts	Watts	Amps	Shipping Weight
MPWS-36	240V	3075	13	79 kg
MPWS-45	240V	3108	13	88 kg

■ Add 32 mm to width for each scoop holder.

Option Capacities

	Fry Pan with Trivet Angled Risers	
	Fry Pan with Trivet	Angled Risers
MPWS-36	1	3
	2	1
	0	5
MPWS-45	1	4
	2	2
	0	6

DIMENSIONS

MPWS-36 947 x 626 x 832 mm.

MPWS-45 1150 x 626 x 832 mm.

VOLTAGE

240 volts, single phase Supplied with cord and 15A plug

CORD LOCATION

Back side, upper left corner.

OPTIONS

- 4 Pleat Hardcoated Fry Box Ribbon
- 5 Pleat Hardcoated Fry Bag Ribbon
- 6 Pleat Hardcoated Fry Bag/Box Ribbon
- Angled Riser
- Bag and Tong Holder

- Scoop Holder
- Fry Pan with Trivet
- Full Fry Bin Insert